



HAMMER MILLS MF 28D

 **FRAGOLA**

SINCE 1961 SUCCESSFUL PLANTS AND TECHNOLOGIES



F.lli FRAGOLA s.p.a.

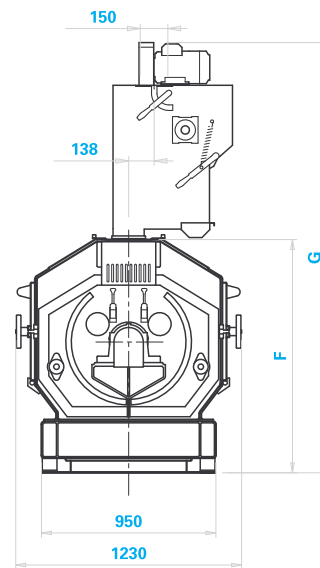
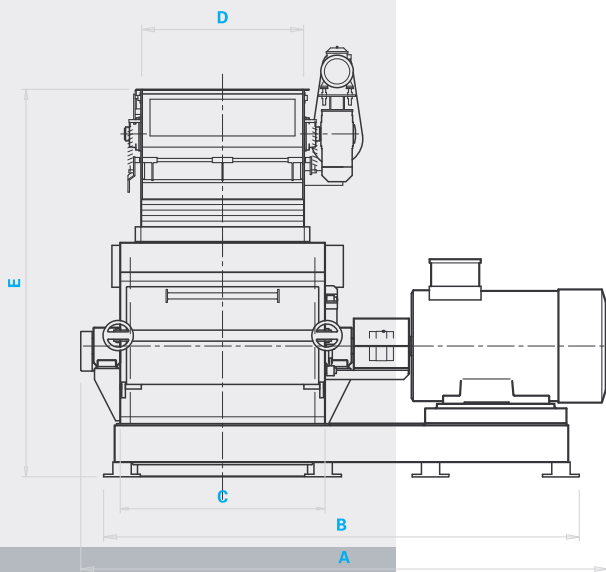
Via del Caminaccio, 2
06081 ASSISI

S. Maria degli Angeli
Perugia - Italia

Tel. +39 075 80 52 91

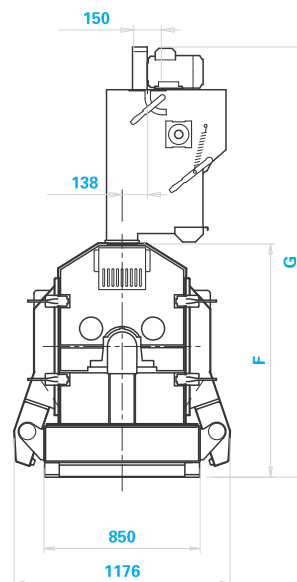
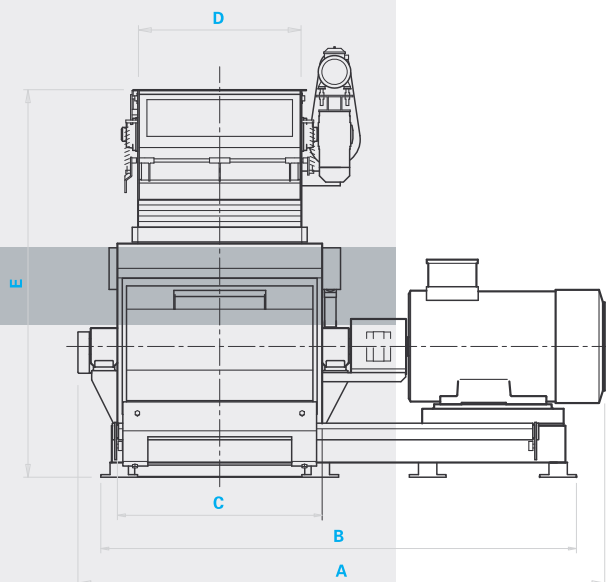
Fax +39 075 80 42 717

www.fragolaspa.com



FRONTAL VERSION

MODEL	A	B	C	D	E	F	G	HAMMER N°	SCREEN SURFACE [M ²]	POWER [KW]	SURFACE SPEED [M/S]	RPM	WEIGHT [KG]
MF28 D7 G ASG5R	2050	2010	620	495	2390	1270	2340	52	0,7	37÷55	92	2940	1610
MF28 D10 G ASG7R	2430	2010	820	600	2390	1270	2340	72	1,0	55÷110	92	2940	1990
MF28 D15 G ASG10R	2870	2590	1115	890	2390	1270	2340	100	1,5	132÷200	92	2940	2300



SIDE VERSION

MODEL	A	B	C	D	E	F	G	HAMMER N°	SCREEN SURFACE [M ²]	POWER [KW]	SURFACE SPEED [M/S]	RPM	WEIGHT [KG]
MF28 D7 ASG5R	2050	2010	620	495	2390	1270	2340	52	0,7	37÷55	92	2940	1610
MF28 D10 ASG7R	2426	2010	820	600	2390	1270	2340	72	1,0	55÷110	92	2940	1990
MF28 D15 ASG10R	2870	2590	1115	890	2390	1270	2340	100	1,5	132÷200	92	2940	2300