

# HAMMER MILLS MF 14D



 **FRAGOLA**

**SINCE 1961** SUCCESSFUL PLANTS AND TECHNOLOGIES



**F.lli FRAGOLA s.p.a.**

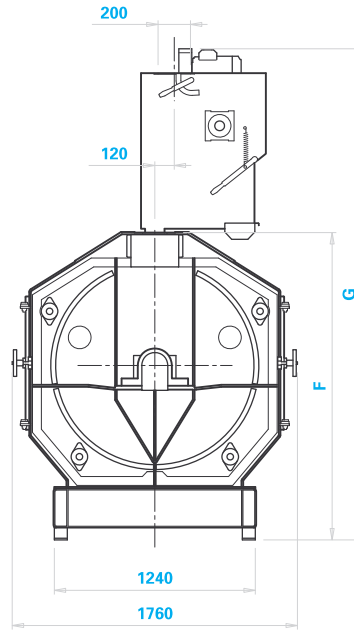
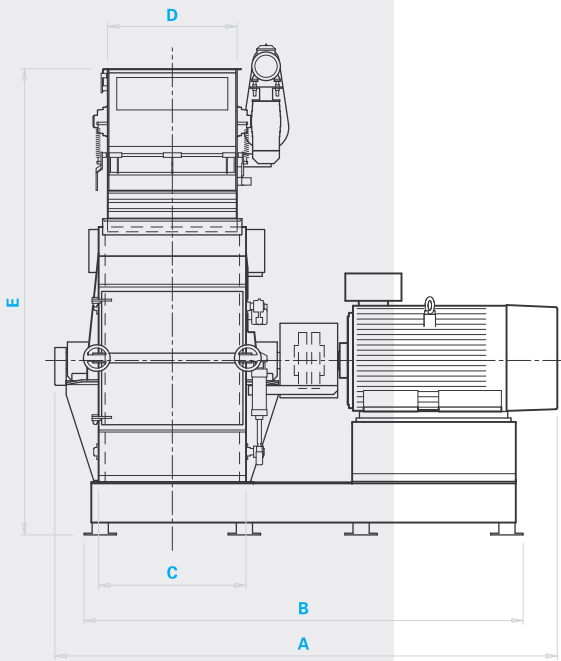
Via del Caminaccio, 2  
06081 ASSISI

S. Maria degli Angeli  
Perugia - Italia

Tel. +39 075 80 52 91

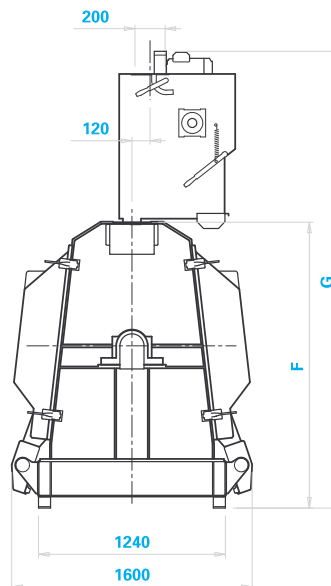
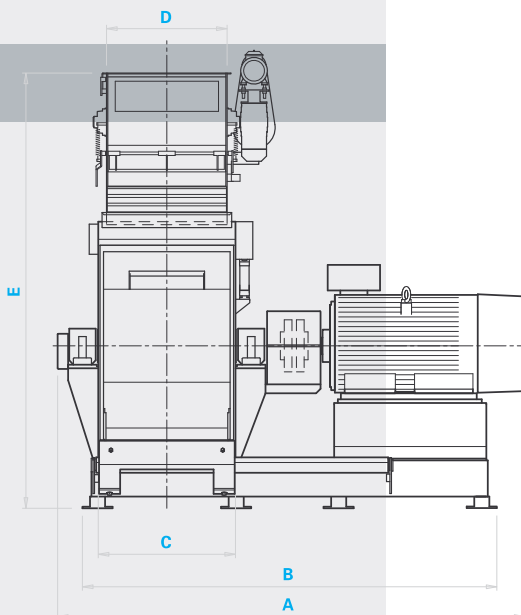
Fax +39 075 80 42 717

[www.fragolaspa.com](http://www.fragolaspa.com)



**FRONTAL VERSION**

MODEL	A	B	C	D	E	F	G	HAMMER N°	SCREEN SURFACE [M <sup>2</sup> ]	POWER [KW]	SURFACE SPEED [M/S]	RPM	WEIGHT [KG]
<b>MF14 D13G + ASG4</b>	2240	2180	470	360	2880	1900	3030	56 / 72	1,28	75÷110	87	1400	2350
<b>MF14 D20G + ASG6</b>	2440	2415	690	580	2880	1900	3030	88 / 120	2,0	132÷160	87	1400	2650
<b>MF14 D27G + ASG8</b>	3100	2750	910	800	2880	1900	3030	120 / 168	2,7	200÷250	87	1400	2950
<b>MF14 D33G + ASG10</b>	3380	2925	1085	975	2880	1900	3030	152 / 216	3,3	250÷315	87	1400	3450



**SIDE VERSION**

MODEL	A	B	C	D	E	F	G	HAMMER N°	SCREEN SURFACE [M <sup>2</sup> ]	POWER [KW]	SURFACE SPEED [M/S]	RPM	WEIGHT [KG]
<b>MF14 D13 + ASG4</b>	2240	2180	470	360	2880	1900	3030	56 / 72	1,28	75÷110	87	1400	1700
<b>MF14 D20 + ASG6</b>	2440	2415	690	580	2880	1900	3030	88 / 120	2,0	132÷160	87	1400	2200
<b>MF14 D27 + ASG8</b>	3100	2750	910	800	2880	1900	3030	120 / 168	2,7	200÷250	87	1400	2700
<b>MF14 D33 + ASG10</b>	3380	2925	1085	975	2880	1900	3030	152 / 216	3,3	250÷315	87	1400	3200