



VIBRATING PRE-CLEANER

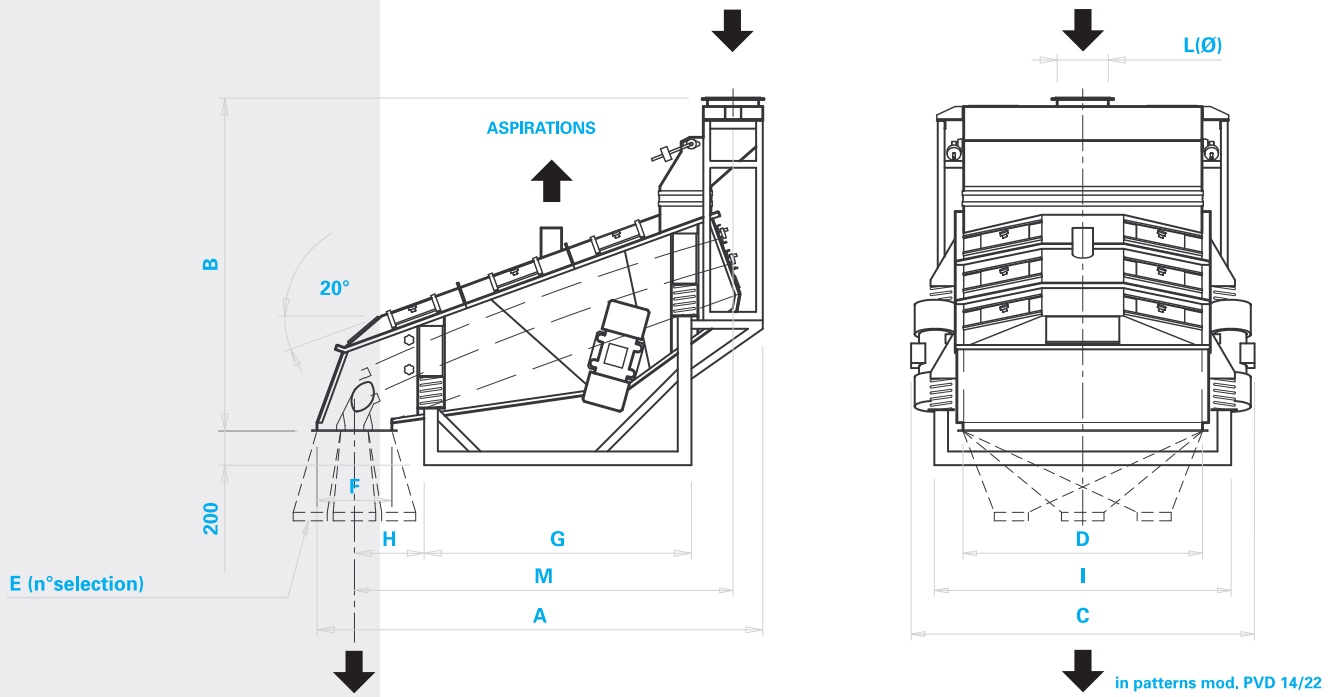
 **FRAGOLA**

SINCE 1961 SUCCESSFUL PLANTS AND TECHNOLOGIES



F.lli FRAGOLA s.p.a.
Via del Caminaccio, 2
06081 ASSISI
S. Maria degli Angeli
Perugia - Italia
Tel. +39 075 80 52 91
Fax +39 075 80 42 717

www.fragolaspa.com



MODEL	A	B	C	D	E	F	G	H	I	L	M	WEIGHT [KG]	POWER [KW]
PVS 10/22	2565	1840	1560	1000	2	440	1570	422	1345	250	2195	890	0,75x2
PVD 10/22	2565	1840	1560	1000	3	440	1570	422	1345	250	2195	890	0,75x2
PVT 10/22	2676	1975	1620	1000	4	600	1570	453	1345	250	2226	1100	1,1x2
PVS 14/22	2620	1955	2020	1400	2	440	1570	410	1744	300	2225	1430	1,1x2
PVD 14/22	2620	1955	2020	1400	3	440	1570	410	1744	300	2225	1430	1,1x2
PVT 14/22	2645	2107	2020	1400	4	600	1570	435	1744	300	2250	1600	2x1,96
PVS 14/25	2902	2056	2116	1400	2	440	1770	402	1764	300	2507	1540	2x1,96
PVD 14/25	2902	2056	2116	1400	3	440	1770	402	1764	300	2507	1540	2x1,96
PVT 14/25	3007	2207	2140	1400	4	600	1800	502	1778	300	2532	1670	2x2,2
PVS 14/32	3532	2511	2130	1400	2	450	2150	622	1800	300	3132	2120	2x2,5
PVD 14/32	3532	2511	2130	1400	3	450	2150	622	1800	300	3132	2120	2x2,5
PVT 14/32	3627	2699	2130	1400	4	615	2150	622	1800	300	3145	2360	2x2,5