

# DOUBLE SHAFT RECYCLING CONDITIONER

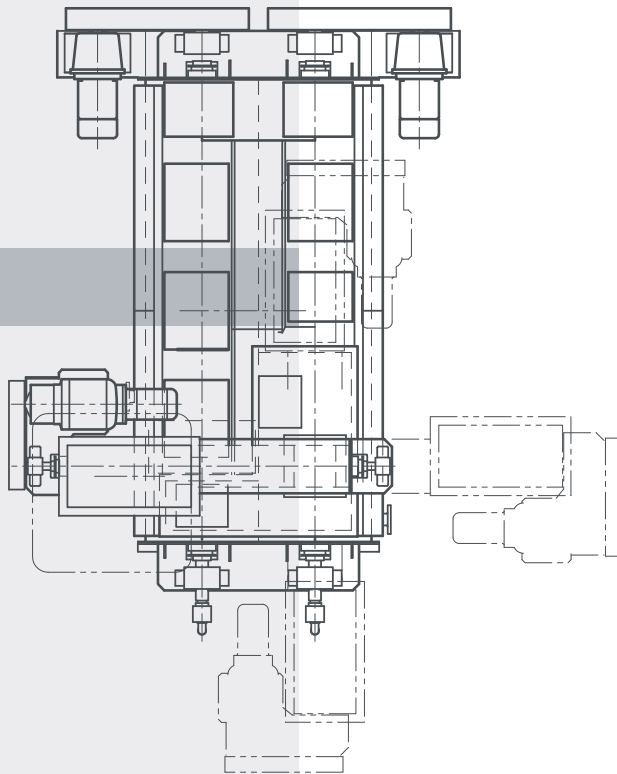
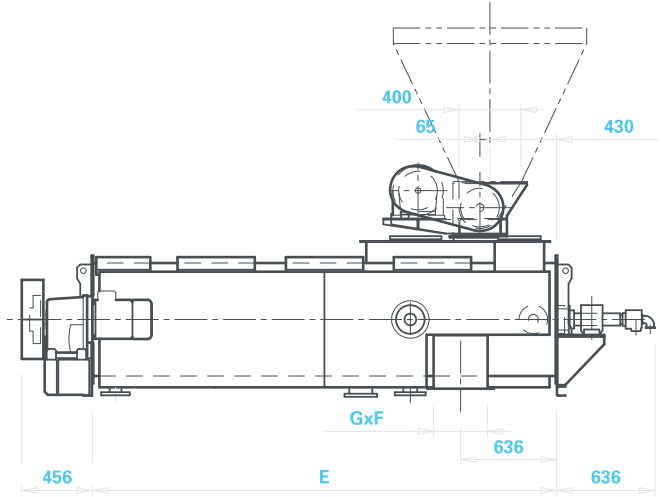
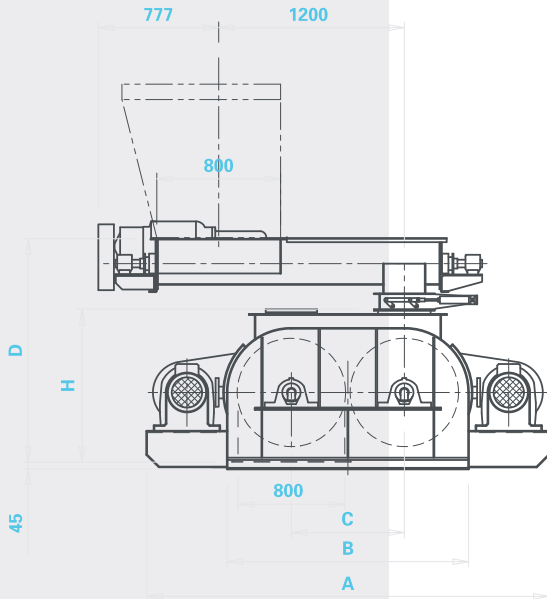
 **FRAGOLA**

**SINCE 1961** SUCCESSFUL PLANTS AND TECHNOLOGIES



**F.lli FRAGOLA s.p.a.**  
Via del Caminaccio, 2  
06081 ASSISI  
S. Maria degli Angeli  
Perugia - Italia  
Tel. +39 075 80 52 91  
Fax +39 075 80 42 717

[www.fragolasp.com](http://www.fragolasp.com)



MODEL	A	B	C	D	E	F	G	H	CAPACITY [TON /H]	USEFUL VOLUME MAX [M <sup>3</sup> ]	POWER [KW]	RESIDENCE TIME OF THE PRODUCT [MIN]	WEIGHT [KG]
<b>CSR8/30</b>	2800	1760	830	1080	3000	800	350	1603	27	2,1	11x2	2,5	3200
<b>CSR7/30</b>	2600	1560	730	988	3000	700	350	1443	20	1,6	7,5x2	2,6	2950
<b>CSR6/30</b>	2500	1360	630	888	3000	600	350	1343	15	1,2	7,5x2	2,6	2750
<b>CSR5/30</b>	2400	1160	530	788	3000	500	350	1183	10	0,8	5,5x2	2,6	2600